

Table of Contents

1. What is the SenseView LIGHT?	4
2. Safety precaution	5
3. Package	7
4. Configuration.....	8
5. After purchasing	10
(1) Charging.....	10
(2) Remove screen protection film	11
6. How to use	12
(1) Starting the SenseView LIGHT	12
① Power on/off.....	12
② Location of the camera.....	13
(2) Zoom	13
① Changing the magnification rate	13
② Using the legs	13
③ Semi-distance.....	15
(3) Changing color	16
(4) Changing brightness on the screen....	17
(5) Still image	17

(6) Changing the brightness of the illumination	17
(7) Additional features.....	18
① Power saving mode	18
② Checking the battery status.....	19
③ Sound on/off	20
7. Troubleshooting	21
8. Technical Specifications.....	24
9. Warranty	24

1. What is the SenseView LIGHT?

The SenseView LIGHT is compact size so you can carry in your pocket and use whenever you want. To read books or newspapers for a long time, unfold legs at the bottom. If you unfold one leg, it is inclined so you can read in comfortable position without bending your neck.

To make vividness text of books or newspapers more vivid and to see receipts, statements of way bills, or colorful text clearly, it provides Full color mode and High contrast mode.

AMOLED, new the next generation display, of the SenseView LIGHT provides high contrast to recognize text easily and equipped with better viewing display capability which can be viewed from more diverse angles. It can still be used in high ambient light such as when you are outside.

2. Safety precaution

To protect both yourself and the equipment, observe the following precautions.

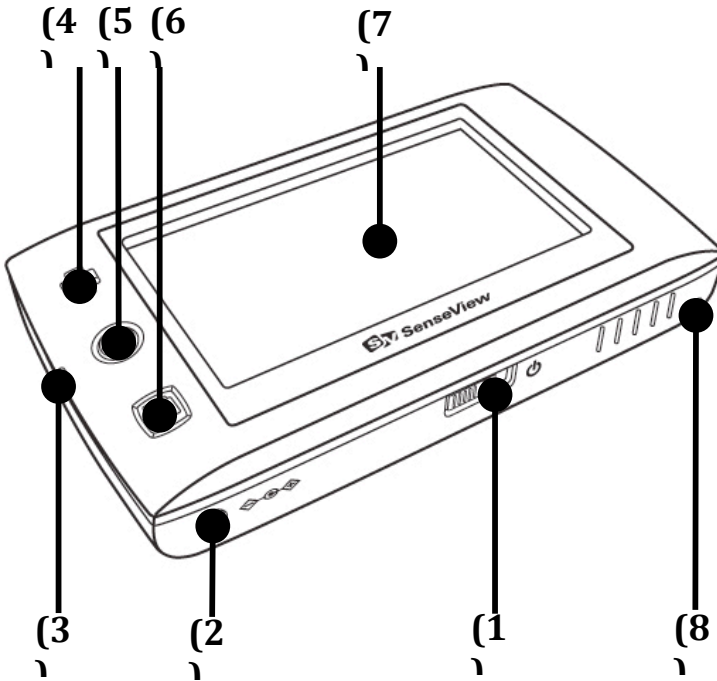
- Do not use damaged power plug or unsuitable outlet to prevent electronic shock or fire.
- Do not touch power plug with wet hands to prevent electronic shock.
- Only the supplied adapter by HIMS should be used. Other power adapter may damage the unit.
- Do not use this unit in moisture environment like a bathroom or shower room to prevent any damage.
- Do not take apart the device by yourself or anyone else who is not authorized by HIMS. If an unauthorized person or company disassembles the device, serious damage may occur to the device and the warranty is void.
- After 6 months use of the device, the lifespan of the battery may be shortened.
- Do not use this unit under the direct sunlight and in very hot or cold environment. The screen may not be displayed accurately. Use

this unit not beyond 0°C ~ 35°C.

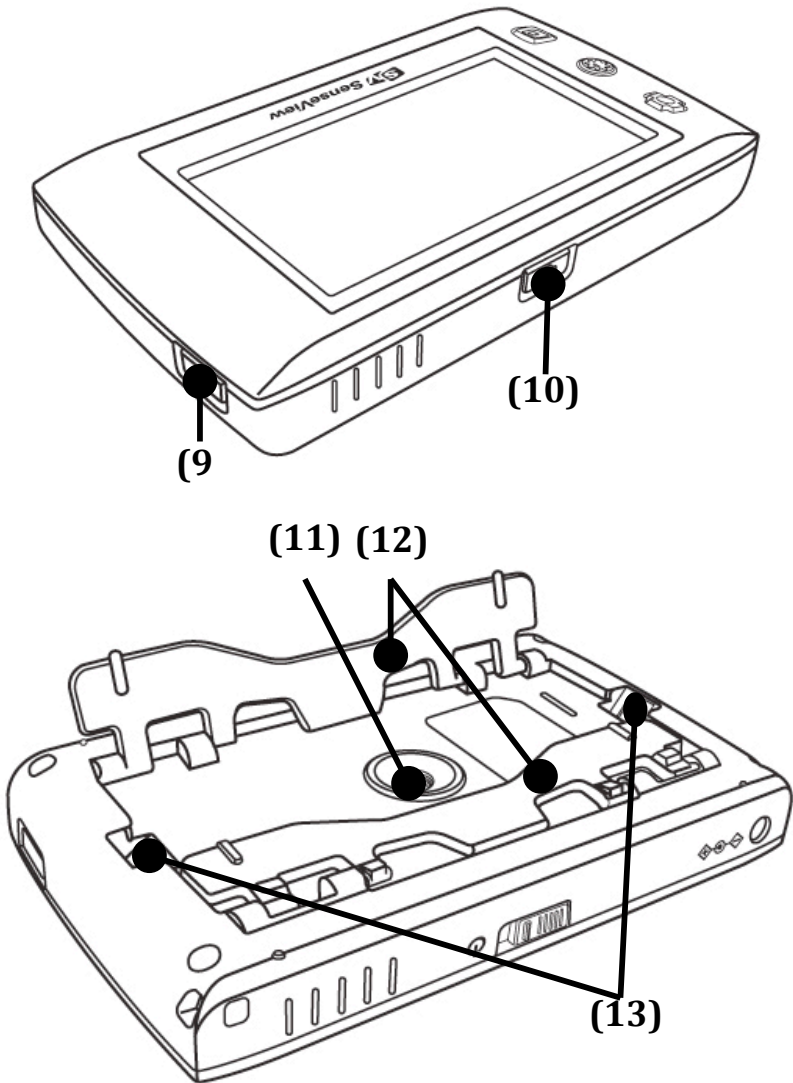
3. Package

- (1) SenseView LIGHT
- (2) AC adapter
- (3) Carrying case
- (4) Strap
- (5) User manual

4. Configuration



- (1) Power switch
- (2) AC Jack (connect to a power adapter)
- (3) Battery charging indicator
- (4) Zoom button
- (5) Screen brightness button
- (6) Color mode button
- (7) Screen
- (8) Strap hole



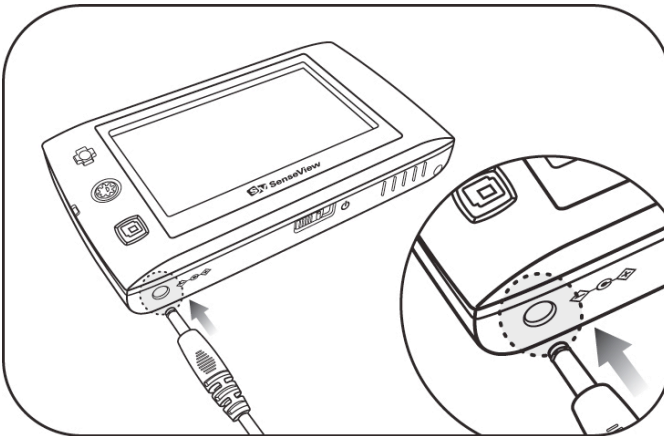
- (9) Illumination brightness button
- (10) Still image button
- (11) Camera
- (12) Legs
- (13) Illumination

5. After purchasing

(1) Charging

Battery must be fully charged approximately for 3 hours prior to initial use.

- To charge the battery, plug the supplied AC adapter into the AC adapter jack on the bottom of the device.
- A full charge takes about 3 hours.
- The battery indicator located left edge side of the front will glow red while charging and it will glow green when it's fully charged.



※ The unit might be getting warm while charging.

(2) Remove screen protection film

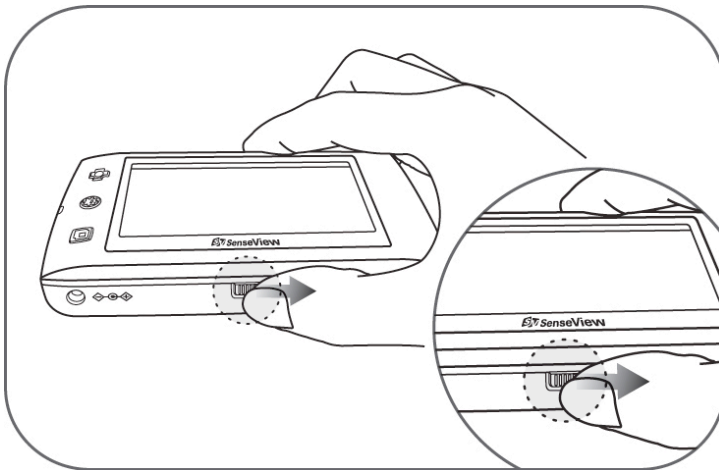
A protection film is covered on the screen. Make sure that take it off before using the unit.

6. How to use

(1) Starting the SenseView LIGHT

① Power on/off

- The power switch is located at the center of the bottom panel.
- To turn on, slide the power switch to the right. The magnified image will show up.
- To turn off, slide the power switch to the right once again.



※ Do not turn on the device right away after turning it off. The unit might be damaged.

② Location of the camera

The camera is in the center of the back side of the unit. Place the camera on the center of the object you want to magnify.

(2) Zoom

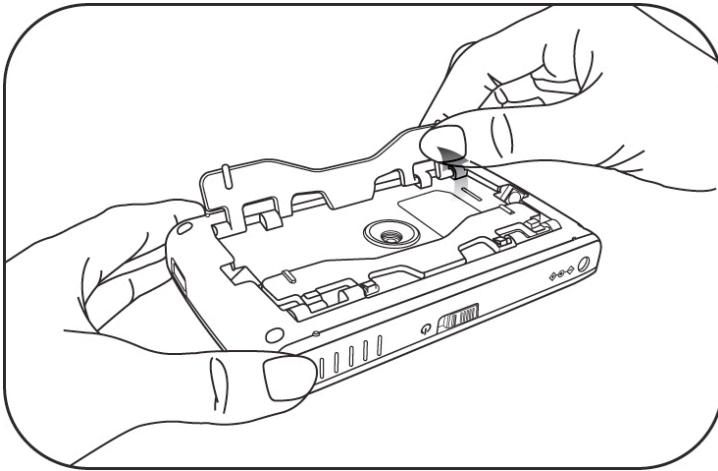
① Changing the magnification rate

You can change the magnification rate depending on the text size.

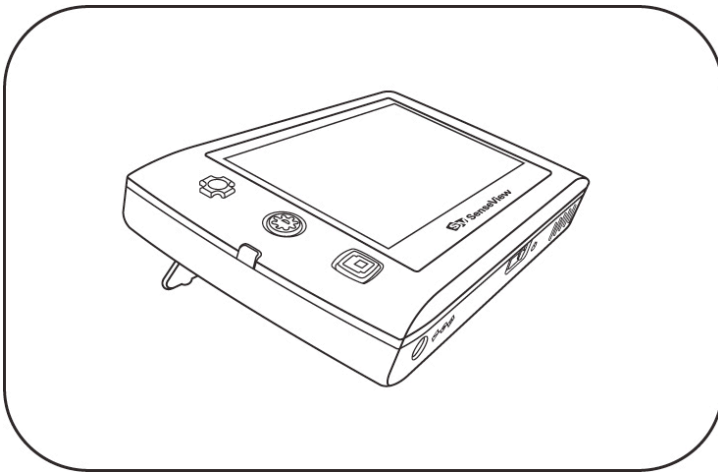
- The Zoom button is at the upper left of the top panel.
- To increase the magnification rate, press the Zoom button.
- Every time you press the Zoom button, the magnification rate changes among 4 levels. The higher level, the higher magnification.

② Using the legs

When you place the unit on the object, unfold the legs. In this case, the magnification rate is from 3.5X to 10.5X.



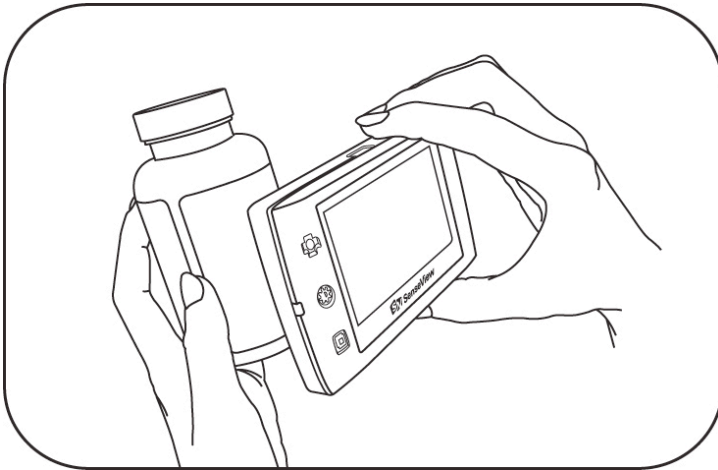
- ※ Without unfolding the legs, you can't get an accurate image.
- ※ When you fold up one leg, you can use the unit without difficulty but text will be titled slightly.



③ Semi-distance

You can use the SenseView LIGHT as a regular optical magnifier by lifting 20mm~45mm from the object.

The image on the screen gets larger as the distance from the object shortens. The magnification rate is from 1.5X to 10.5X.



※ Magnification rate

There are 4 magnification levels. The rates are different, depending on the distance from the object.

Zoom level	Distance from object	
	2cm	4.5cm
Level 1	3.5X	1.5X
Level 2	5.25X	2.25X
Level 3	7X	3X
Level 4	10.5X	4.5X

(3) Changing color

You can change the color on the screen. You can set your preferred color of the text and background depending on the material being viewed.

- The Color mode button is at the lower left of the top panel.
- The image on the OLED screen can be viewed in 5 color modes.
 - 1) Full color
 - 2) Black on white
 - 3) Black on white with high contrast
 - 4) White on black
 - 5) White on black with high contrast

- Use mode ⊖ and ④ when you want to display weak contrast or small letters.
- Use mode ⊗ and ⑤ when you want to display high contrast for more vivid image.

(4) Changing brightness on the screen

You can adjust brightness for the darker and lighter images depending on material viewing on the screen.

- The Screen brightness button is at the center left of the top panel.
- There are 4 brightness levels. The higher level, the brighter.

(5) Still image

The feature of still image is useful to read small letters such as address, and phone number.

- The Still image button is at the center of the rare panel.
- Briefly press the button and the image the SenseView LIGHT is showing at that instant will remain on the screen.
- Press the button again to return to the normal viewing mode.

(6) Changing the brightness of the

illumination

You can adjust the brightness of the illumination. Change the brightness, depending on the circumstance and for your convenience.

- The Illumination brightness button is at the right side.
- There are 3 brightness levels.
 - ⊖ Off
 - ⊖ Middle
 - ⊗ Maximum
- The light level doesn't change when you turn off the power while the light is on. It changes to the maximum when you turn off the power while the light is off.

(7) Additional features

① Power saving mode

In order to save the battery, the Power saving mode will be activated when you do not use the unit for few minutes.

- If you leave the unit turned on and unmoved for 2 minutes or more it automatically goes into a power saving mode.

- In the Power saving mode, the display screen turns off and the battery charging indicator flickers.
 - To exit "Power saving mode", simply touch any button or move the unit.
 - If the unit is left a further 3 minutes after entering the power saving mode, power is automatically switched off.
- ※ The Power saving mode is not activated in the Still image mode. When you don't use the unit more than 3 minutes while the capturing an image mode is activated, the power will be turned off.

② Checking the battery status

The battery indicator icon is displayed at up right corner on the screen as a 3 segment horizontal bars in an oblong frame.



[A battery charging indicator]

- When you press the Zoom button and the Illumination brightness button simultaneously,

the indicator will appear accompanied by an audio beep.

- The battery status is displayed with 5 levels: Full, High, medium, Low and Very low.
- The icon, Empty battery status, will flicker when the battery status is needs to be charged.
- The battery indicator icon is red color when the unit is being charged and it will be changed to green when the unit is fully charged.
- When you disconnected the adaptor, it will be changed to blue.
- You can remove the battery charge indicator from the display screen by pressing the Zoom button and the Illumination brightness button.

③ **Sound on/off**

Every time you press each button, you can hear a sound to confirm your button stroke. You can turn on/off the sound for your convenience.

- To turn on/off the sound, press the Illumination brightness button and the Color mode button simultaneously.

7. Troubleshooting

(1) It does not turn on.

- Connect the adapter to AC jack over 3 hours before using.

(2) The power is on, but I can't get an accurate image.

- In the Capturing an image mode, it may seem to be defective. Turn off this mode by pressing the Image capture button.
- The Power saving mode will be activated when you don't use the unit for 2 minutes. Press any button or use the unit to exit from power saving mode.
- If you put the unit on the object without unfolding the legs, the camera is too close to display an image. Please fold up it.

(3) The screen is dark and the text is vague.

- It is happened when the object is out of range. When you use the legs, the recommended range is 20~45mm from the object.

(4) I wiped the screen, but a piece of dirt still on it.

- It may not be on the screen but the camera lens. Wipe the camera lens with soft cloth.

(5) I want to turn on/off the sound.

- When you press each button, you can hear a sound to confirm your button stroke. To turn on/off the sound, press the Illumination brightness button and the Color mode button simultaneously.

(6) I want to check the battery status.

- When you press the Zoom button and the Illumination brightness button simultaneously, the battery icon will be displayed on the screen.

(7) OLED is too light or too dark.

- You can adjust the brightness for the darker and lighter images on the OLED screen with the Screen brightness button from level 1 to 4. The higher level you select, the brighter you can get.

(8) OLED turns off while using the unit.

- The Power saving mode will be activated when you don't use the unit for 2 minutes. Press any button or use the unit to exit from power saving mode. The power turns off after

3 minutes in the Power saving mode, so you need to turn it on again.

- When the battery runs out, the power will be turned off. Connect the adapter into AC jack over 3 hours before using

(9) The battery has been charged for a long time, but it doesn't last long.

- The lifespan of the battery is shortened.
- In order to use the battery for a long time, charge it frequently before it is discharged.

8. Technical Specifications

- (1) Screen: 3.4 inch wide type AMOLED
- (2) Magnification rate: 1.5X~10.5X
- (3) Semi-distance: 2cm~4.5cm
- (4) Screen brightness: 4 levels
- (5) Color modes: 5 color modes
- (6) Battery : Rechargeable lithium polymer (2000mAh, 3.7V)
 - ① Continuous use: 3.5 hours
 - ② Recharging time: 3 hours
- (7) Size: 115(W) * 67(D) * 18(H) mm
- (8) Weight: 151g

※ (NOTE) This user guide will be differed from actual operation due to improved function of products and it is subject to change and modified without prior notice.

9. Warranty

- (1) Warranty term is 2 years from your purchasing. Warranty term of the battery is 6 months.
- (2) Warranty does not cover the problem due to the user's fault.

※ (NOTE) The warranty term will be different from each country.

An FCC warning

NOTE: This equipment has been tested and found to comply with the limits for a Class B digital device, pursuant to part 15 of the FCC Rules. These limits are designed to provide reasonable protection against harmful interference in a residential installation.

This equipment generates, uses and can radiate radio frequency energy and, if not installed and used in accordance with the instructions, may cause harmful interference to radio communications. However, there is no guarantee that interference will not occur in a particular installation. If this equipment does cause harmful interference to radio or television reception, which can be determined by turning the equipment off and on, the user is encouraged to try to correct the interference by one or more of the following measures:

- Reorient or relocate the receiving antenna.
- Increase the separation between the equipment and receiver.
- Connect the equipment into an outlet on a circuit different from that to which the receiver is connected.
- Consult the dealer or an experienced radio/TV technician for help.

CAUTION: Changes or modifications not expressly approved by the manufacturer responsible for

compliance could void the user's authority to operate the equipment.



Fingertip Communication

HIMS